

**Lasbocht 90° staal 21,3 mm x  
21,3 mm x 2,0 mm stomplas  
(1180012)**



# TECHNISCHE SPECIFICATIES

Materiaal                      staal

Verbinding                    stomplas

DIN Norm                     DIN 2605

Norm                          3S

Maat                          21,3 mm

Wand                         2,0 mm

# AFMETINGEN

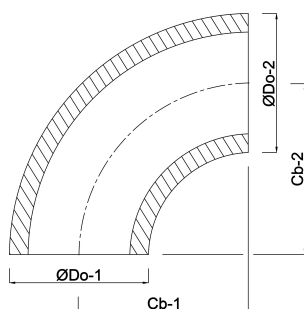
Cb-1                          28 mm

Cb-2                          28 mm

ØDo-1                        21.3 mm

ØDo-2                        21.3 mm

β                              90 °



**Gegenerereerd op datum: 22-02-2026**

<http://www.bosta.com>