

**Bocht 90° staal 200 mm x 200  
mm x 2,0 mm stomplas**  
(0220616)



# TECHNISCHE SPECIFICATIES

Materiaal                      staal

Verbinding                    stomplas

Wand                            2,0 mm

Maat                             200 mm

# AFMETINGEN

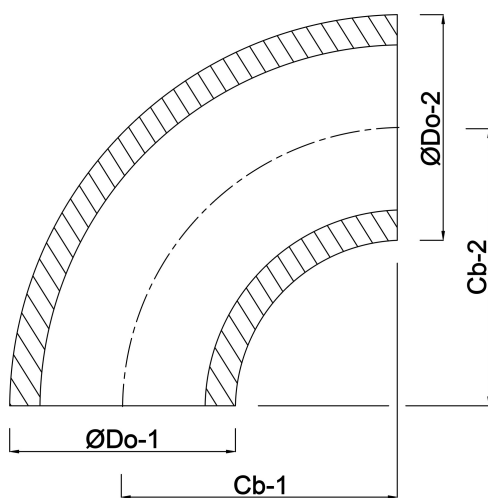
Cb-1                             325 mm

Cb-2                             325 mm

ØDo-1                          200 mm

ØDo-2                          200 mm

β                                 90 °



**Gegenerereerd op datum: 22-02-2026**

<http://www.bosta.com>