

**Profec Flange adaptor PVC-U  
DN125 x 140 mm DIN flange x  
glue socket 10bar DN125 grey  
PN10/16 (0111051)**



# TECHNICAL SPECIFICATIONS

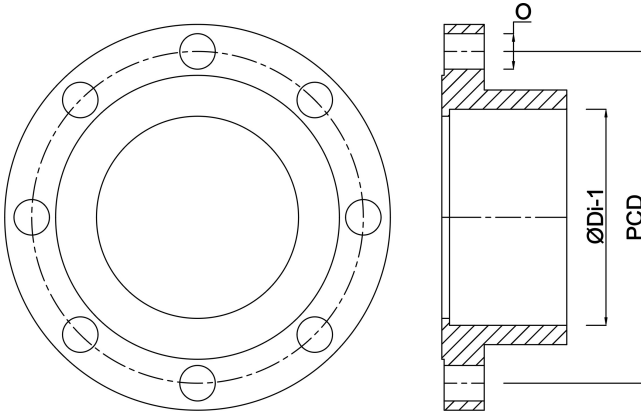
Colour	grey
Material	PVC-U
Connection	DIN flange x glue socket
Size	DN125 x 140 mm
Bolt	M16
DN	125
Flange	PN10/16
Outer ø	250 mm
Weight	1.397 kg
Length bolt	80 mm
Thickness	30 mm
Pressure	10 bar
Bolt hole	18 mm
Holes	8

## DIMENSIONS

O	18 mm
---	-------

PCD 210 mm

ØDi-1 140 mm



**Last modified date: 20/02/2026**

Bosta UK Ltd.  
Reflection House  
Olding Road  
Bury St. Edmunds  
Suffolk  
IP33 3TA  
T +44 (0) 1284 716580  
E [enquiries@bosta.co.uk](mailto:enquiries@bosta.co.uk)  
<http://www.bosta.com>