

**Profec Butterfly valve PVC-U
63/75 mm flange 10bar DN65
grey PN6/10 type 7000
(0111414)**



TECHNICAL SPECIFICATIONS

Colour	grey
Type	7000
Material	PVC-U
Operation	lever
Colour lever	blue
Handle material	aluminium
Material valve	PVC-U
Shaft	stainless steel 316
Material spindle	PVC
Material housing	PVC-U
Material seal	EPDM
Connection	flange
Fire-safe	No
Flange	PN6/10
Temperature range	10°C - 60°C
Size	63/75 mm
DN	65

Height 48 mm

Pressure 10 bar

Bolt hole 18 mm

Holes 4

DIMENSIONS

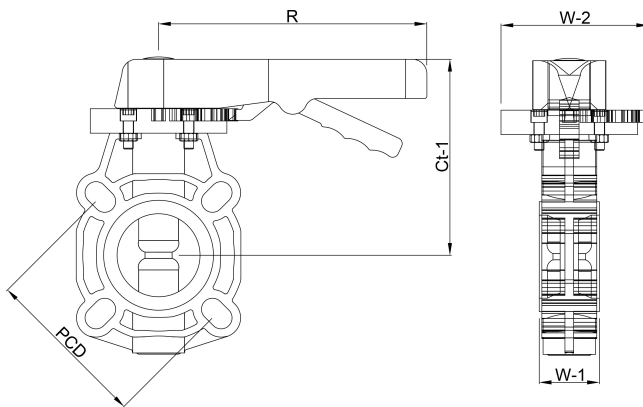
Ct-1 137 mm

PCD 125/145 mm

R 228 mm

W-1 48 mm

W-2 104 mm



PRODUCT INFORMATION

According to ISO/DIN.

Last modified date: 20/02/2026

Bosta UK Ltd.
Reflection House
Olding Road
Bury St. Edmunds
Suffolk
IP33 3TA
T +44 (0) 1284 716580
E enquiries@bosta.co.uk
<http://www.bosta.com>