

**VIR Ball valve PP 1" female  
thread 16bar DN25 black type  
220 (0401584)**

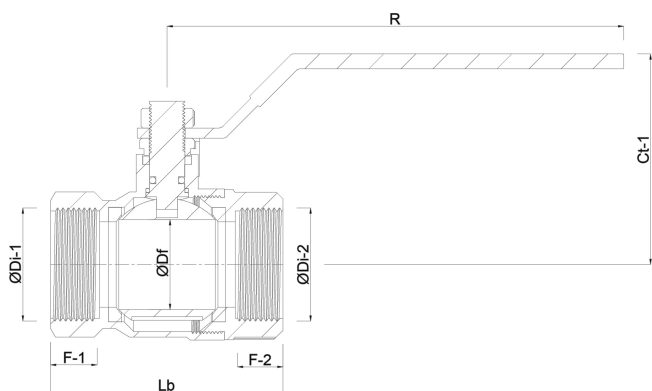


# TECHNICAL SPECIFICATIONS

Colour	black
Type	220
Material	PP
Operation	lever
Colour lever	red
Handle material	fibreglass reinforced nylon
Housing construction	1-part
Ball material	hard chrome plated brass
Material housing	PP
Material seal	PTFE
Connection	female thread
Temperature range	0°C - 75°C
Pressure	16 bar
Size	1"
DN	25

## DIMENSIONS

Ct-1	73 mm
F-1	20.5 mm
F-2	20.5 mm
Lb	84 mm
R	120 mm
ØDf	25 mm
ØDi-1	1 "
ØDi-2	1 "



**Last modified date: 21/02/2026**

Bosta UK Ltd.  
 Reflection House  
 Olding Road  
 Bury St. Edmunds  
 Suffolk  
 IP33 3TA  
 T +44 (0) 1284 716580  
 E [enquiries@bosta.co.uk](mailto:enquiries@bosta.co.uk)  
<http://www.bosta.com>