

Flange adaptor steel 5" square flange x butt welding black (0200581)



TECHNICAL SPECIFICATIONS

Colour	black
Material	steel
Connection	square flange x butt welding
Thickness	8 mm
Bolt hole	13 mm
Holes	4
Size	5"
Diameter	125 mm
Outer dimension flange	180 x 180

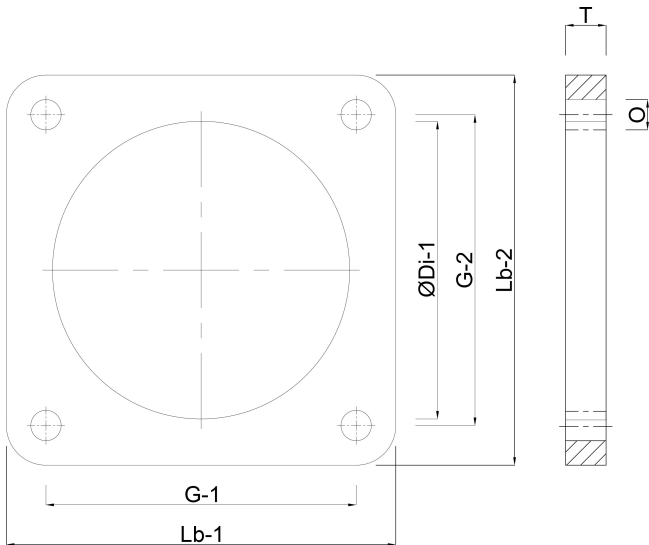
DIMENSIONS

G-1	150 mm
G-2	150 mm
H-1	8 mm
Hole spacing	150 x 150 mm
Lb	180 mm
Lb-2	180 mm

O 13 mm

T 8 mm

ØDi-1 125 mm



Last modified date: 20/02/2026

Bosta UK Ltd.
Reflection House
Olding Road
Bury St. Edmunds
Suffolk
IP33 3TA
T +44 (0) 1284 716580
E enquiries@bosta.co.uk
<http://www.bosta.com>