

**Foras Centrifugal pump cast
iron DN50 x 50 mm x DN32 x 32
mm DIN flange 10bar 7,1A
400/690VAC blue type MN32
160 A (0920290)**



TECHNICAL SPECIFICATIONS

Colour blue

Material cast iron

Material impeller 1 cast iron

Connection DIN flange

Voltage 400/690VAC

Max. temperature 90 °C

Minimum medium temperature -10 °C
(continuous)

Maximum ambient temperature 40 °C

Minimum ambient temperature 0 °C

Type MN32 160 A

Output Power 4 HP

Max. head 36,8 m

Size DN50 x 50 mm x DN32 x 32 mm

Seal type C

Length 490 mm

Width 240 mm

Weight 47 kg

Power 3 kW

Height 292 mm

Max flow rate 27 m³/h

BEP Capacity 18

BEP Head 31

Efficiency 56 %

Press 32

Suction 50

Packaging dimensions L/W/H 551 x 250 x 341 mm

DIMENSIONS

Cb-1 132 mm

Cl-1 80 mm

Ct-1 160 mm

G-1 190 mm

H 292 mm

H 292 mm

L 490 mm

Mc 70 mm

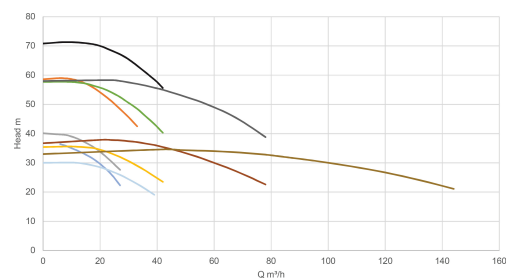
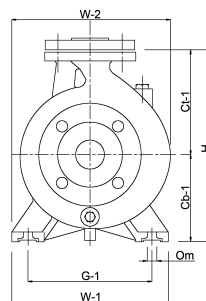
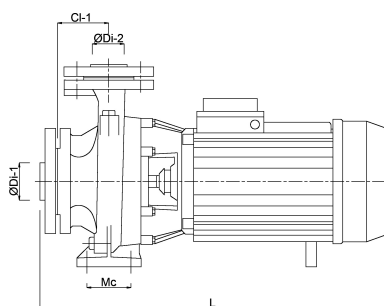
O 14 mm

W-1 240 mm

W-2 240 mm

ØDi-1 50 mm

ØDi-2 32 mm



- 920290
- 920293
- 920291
- 920301
- 920300
- 920304
- 920307
- 920309
- 920311
- 920314

PRODUCT INFORMATION

The pumps are supplied complete with counter flanges with female thread.
Mechanical seal.
Maximum water temperature 90°C.

Last modified date: 19/05/2026

Bosta UK Ltd.
Reflection House
Olding Road
Bury St. Edmunds
Suffolk
IP33 3TA

T +44 (0) 1284 716580
E enquiries@bosta.co.uk
<http://www.bosta.com>