

Itap Ball valve brass nickel plated 3/4" female thread 40bar type 092 (0402374)



TECHNICAL SPECIFICATIONS

Type 092

Material brass

Surface treatment nickel plated

Operation butterfly handle

Colour lever red

Handle material aluminium

Housing construction 2-part

Ball material hard chrome plated brass

Material housing brass

Material seal PTFE

Connection female thread

Max. temperature 150 °C

Minimum medium temperature -20 °C
(continuous)

Flow full

Size 3/4"

Pressure 40 bar

DIMENSIONS

Ct-1 47 mm

F-1 13.5 mm

F-2 12.5 mm

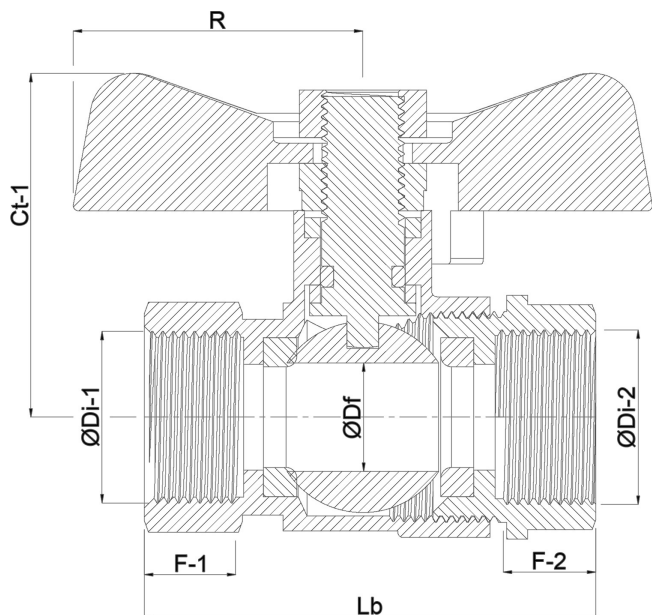
Lb 57,5 mm

R 31 mm

ØDf 20 mm

ØDi-1 3/4 "

ØDi-2 3/4 "



Last modified date: 21/02/2026

Bosta UK Ltd.
Reflection House
Olding Road
Bury St. Edmunds
Suffolk
IP33 3TA
T +44 (0) 1284 716580
E enquiries@bosta.co.uk
<http://www.bosta.com>