

**Profec 1-piece Ball valve  
stainless steel 316 1 1/4"  
female thread 69bar light  
(0090897)**



# TECHNICAL SPECIFICATIONS

Material stainless steel 316

Operation lever

Colour lever blue

Handle material stainless steel

Housing construction 1-part

Model light

Material housing stainless steel 304

Material seal PTFE

Connection female thread

Gasket PTFE

Flow reduced

Temperature range -10°C - 150°C

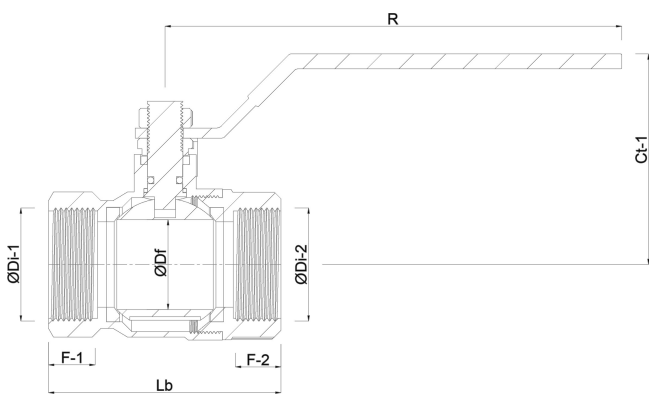
Pressure 69 bar

Size 1 1/4"

Length 78 mm

## DIMENSIONS

Ct-1	55 mm
F-1	17.7 mm
F-2	17.7 mm
Lb	76,5 mm
R	110 mm
ØDf	20 mm
ØDi-1	1 1/4 "
ØDi-2	1 1/4 "



**Last modified date: 20/02/2026**

Bosta UK Ltd.  
 Reflection House  
 Olding Road  
 Bury St. Edmunds  
 Suffolk  
 IP33 3TA  
 T +44 (0) 1284 716580  
 E [enquiries@bosta.co.uk](mailto:enquiries@bosta.co.uk)  
<http://www.bosta.com>