

# Ball valve PVC-U 1" female thread 10bar DN25 grey type AK (0161512)



# TECHNICAL SPECIFICATIONS

Colour grey

Type AK

Material PVC-U

Operation lever

Colour lever red

Handle material PVC-U

Housing construction 3-part

Material housing PVC-U

Material seal PE/EPDM

Connection female thread

Max. temperature 60 °C

Minimum medium temperature 0 °C  
(continuous)

Pressure 10 bar

Size 1"

DN 25

# DIMENSIONS

Ct-1 65 mm

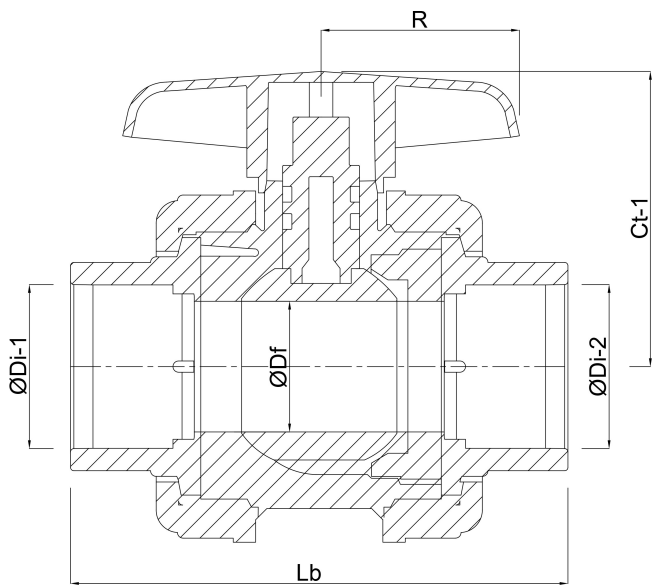
Lb 111 mm

R 45 mm

ØDf 25 mm

ØDi-1 1 "

ØDi-2 1 "



**Last modified date: 20/02/2026**

Bosta UK Ltd.  
Reflection House  
Olding Road  
Bury St. Edmunds

Suffolk  
IP33 3TA  
T +44 (0) 1284 716580  
E [enquiries@bosta.co.uk](mailto:enquiries@bosta.co.uk)  
<http://www.bosta.com>