

**DAB Submersible pump  
stainless steel 304 1 1/2"  
female thread 6A 230VAC  
stainless steel type Drenag  
1000 MNA (7038201)**



# TECHNICAL SPECIFICATIONS

Colour stainless steel

Material stainless steel 304

Pump body stainless steel 304

Connection female thread

Voltage 230VAC

Max. temperature 35 °C

Minimum medium temperature 0 °C  
(continuous)

Maximum ambient temperature 40 °C

Type Drenag 1000 MNA

Output Power 1,36 HP

Material impeller 1 stainless steel 304

MWC 15,3 m

Size 1 1/2"

Float not included

Power 1 kW

Ampere 6 A

Max flow rate

18 m<sup>3</sup>/h

## DIMENSIONS

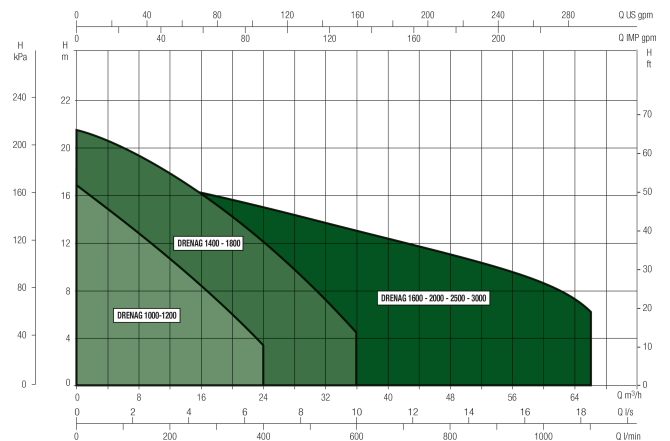
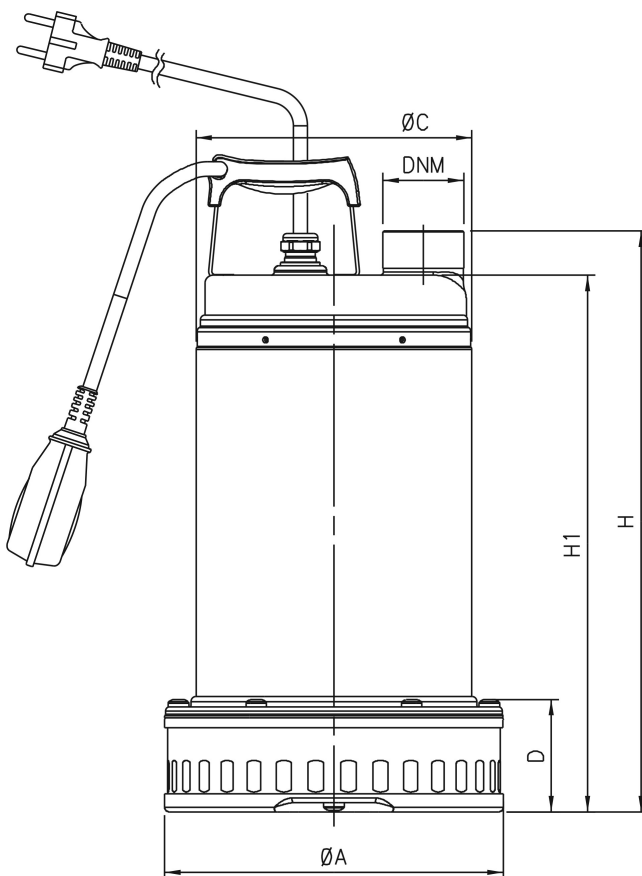
A 215 mm

C 175 mm

D 71 mm

H 413 mm

H-1 385 mm



**Last modified date: 09/05/2026**

Bosta UK Ltd.  
Reflection House  
Olding Road  
Bury St. Edmunds  
Suffolk  
IP33 3TA  
T +44 (0) 1284 716580  
E [enquiries@bosta.co.uk](mailto:enquiries@bosta.co.uk)  
<http://www.bosta.com>