

**Flotide Pool pump 50 mm / 1  
1/2" metric/imperial glue  
socket 4,7A 230VAC black type  
SS 0100 with RCD plug  
(7043354)**



**FLOTIDE**

# TECHNICAL SPECIFICATIONS

Colour	black
Shaft	stainless steel 316
Material seal	stainless steel 316
Connection	metric/imperial glue socket
Voltage	230VAC
Max. temperature	40 °C
Width	211 mm
Height	340 mm
Frequency	50 Hz
IP value	IPX5
Type	SS 0100
Capacity	15,2 m <sup>3</sup> /h
Output Power	1,00 HP
Size	50 mm / 1 1/2"
Length	552 mm
Weight	9.09 kg
Power	0.56 kW

Ampere 4,7 A

Noise level 65 dB

BEP Capacity 12

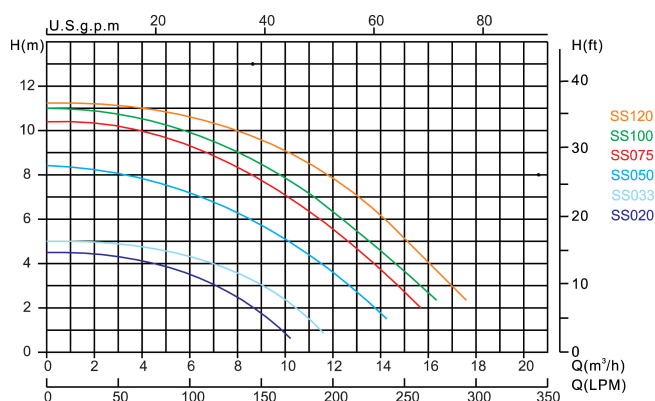
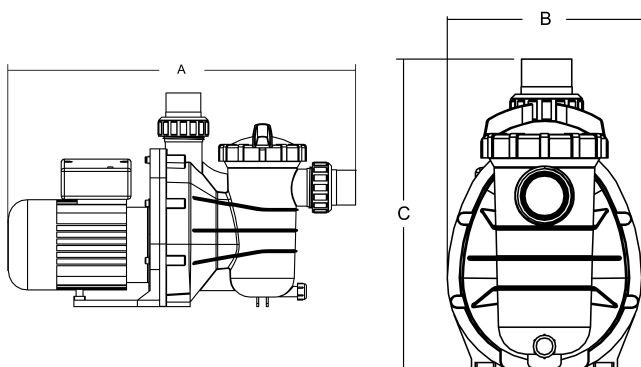
BEP Head 4.5

## DIMENSIONS

A 552 mm

B 211 mm

C 340 mm



## PRODUCT INFORMATION

This pump is designed for medium sized domestic swimming pools. Low energy consumption, quiet running.

Features:

- Connection: metric / imperial glue socket

- Transparent lid for easy checking
- NSK bearing
- Insulation: Class B
- IP55 protection
- Built in thermal protection
- Supplied including metric & imperial unions
- Supplied with RCD differential plug
- UK / DIN plug included

**Last modified date: 22/02/2026**

Bosta UK Ltd.  
Reflection House  
Olding Road  
Bury St. Edmunds  
Suffolk  
IP33 3TA  
T +44 (0) 1284 716580  
E [enquiries@bosta.co.uk](mailto:enquiries@bosta.co.uk)  
<http://www.bosta.com>