

**VIR Ball valve brass chrome
plated 1/2" female thread
40bar WRAS/VA type 340R
(0400952)**



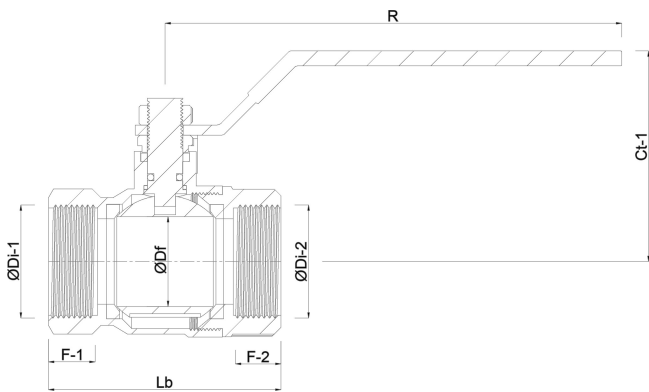
TECHNICAL SPECIFICATIONS

| | |
|----------------------|--------------------------|
| Type | 340R |
| Material | brass |
| Surface treatment | chrome plated |
| Approval | WRAS/VA |
| Operation | lever |
| Colour lever | red |
| Handle material | dacromet steel |
| Housing construction | 2-part |
| Ball material | hard chrome plated brass |
| Material housing | brass |
| Material seal | PTFE |
| Connection | female thread |
| Flow | full |
| Temperature range | 0°C - 150°C |
| Size | 1/2" |
| Pressure | 40 bar |

DIMENSIONS

Handle height 53

ØDf 15 mm



Last modified date: 21/02/2026

Bosta UK Ltd.
Reflection House
Olding Road
Bury St. Edmunds
Suffolk
IP33 3TA
T +44 (0) 1284 716580
E enquiries@bosta.co.uk
<http://www.bosta.com>