

**DAB Pressure set  
technopolymer 1 1/4" female  
thread 12bar 5,6A 400VAC  
black type ESYBOX MAX  
85/120T 380-480 (7037999)**



# TECHNICAL SPECIFICATIONS

Colour black

Material technopolymer

Pump body technopolymer

Material impeller 1 technopolymer

MWC 80 m

Connection female thread

Max. temperature 50 °C

Minimum medium temperature 0 °C  
(continuous)

Height 613 mm

Max flow rate 17.4 m<sup>3</sup>/h

Maximum ambient temperature 55 °C

Pressure 12 bar

Packaging dimensions L/W/H 400 x 380 x 800 mm

Type ESYBOX MAX 85/120T 380-480

Size 1 1/4"

Voltage 400VAC

Weight 30 kg

Power 3.5 kW

Impellers 4

Ampere 5,6 A

## DIMENSIONS

Cb-1 87 mm

Cc-1 124.5 mm

Cl-1 131.8 mm

Cr-1 127.7 mm

H 384 mm

H-1 384 mm

L 766 mm

Lb 228 mm

Lb-2 613 mm

Length 384 mm

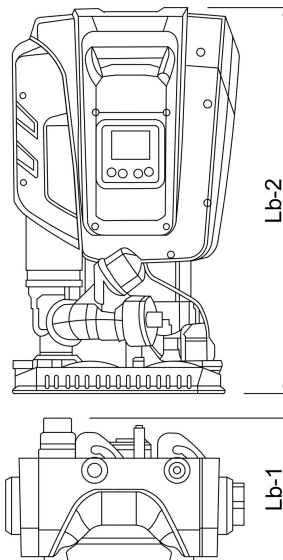
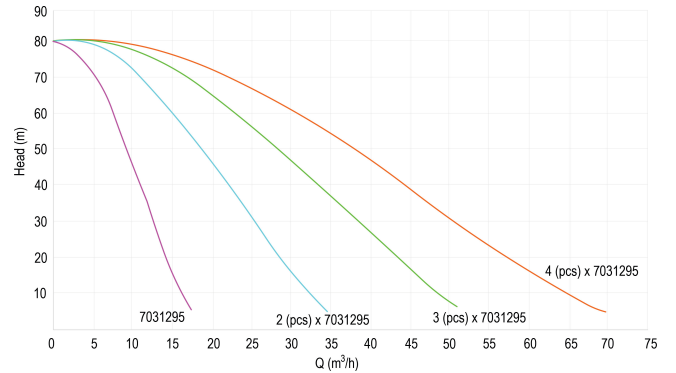
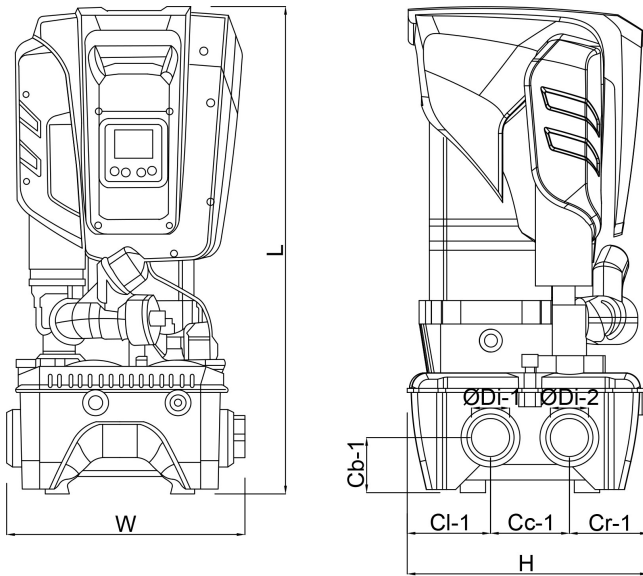
W-1 375 mm

Width 375 mm

ØDi-1 1 1/4 - 2 "

ØDi-2

1 1/4 - 2 "



## PRODUCT INFORMATION

Includes a self-priming multi-stage pump, management inverter electronics, pressure and flow sensors, adjustable high resolution LCD display with 2 litre built-in expansion vessel, and cartridge check valve.

Suitable for use with potable water in commercial applications.

Pressure set point adjustable from 1 to 12 bar

Max. inlet pressure: 5 bar

Installation: fixed vertical position, a 4 pump modular system is available with the additional kit to connect the ESYDOCKS.

Docking station not included and is required for operation.

**Last modified date: 08/05/2026**

Bosta UK Ltd.

Reflection House

Olding Road

Bury St. Edmunds

Suffolk

IP33 3TA

T +44 (0) 1284 716580

E [enquiries@bosta.co.uk](mailto:enquiries@bosta.co.uk)

<http://www.bosta.com>