

**3-way ball valve L-bore brass  
nickel plated 3/8" female  
thread 16bar DN10 type L-bore  
side connection (0401475)**



# TECHNICAL SPECIFICATIONS

Type L-bore

Material brass

Surface treatment nickel plated

Operation lever

Colour lever red

Handle material aluminium

Ball material hard chrome plated brass

Shaft PVC

Material housing brass

Material seal PTFE

Ball bore L-bore

Connection type side connection

Connection female thread

Flow full

Temperature range -30°C - 150°C

Pressure 16 bar

Size 3/8"

DN

10

## DIMENSIONS

Ct-1 65 mm

F-1 18 mm

F-2 18 mm

Lb 77 mm

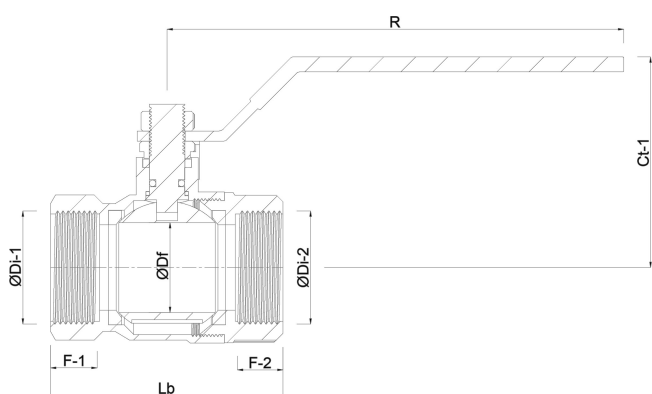
R 125 mm

ØDf 10 mm

ØDi-1 3/8 "

ØDi-2 3/8 "

ØDi-3 3/8 "



Last modified date: 21/02/2026

Bosta UK Ltd.  
Reflection House  
Olding Road  
Bury St. Edmunds  
Suffolk  
IP33 3TA  
T +44 (0) 1284 716580  
E [enquiries@bosta.co.uk](mailto:enquiries@bosta.co.uk)  
<http://www.bosta.com>