

**Profec Swing check valve with
lifting device ductile iron
(GGG40) epoxy coating DN65
DIN flange 16bar DN65 blue
PN10/16 (0402635)**



TECHNICAL SPECIFICATIONS

Colour	blue
Material	ductile iron (GGG40)
Surface treatment	epoxy coating
Material cover	ductile iron
Material housing	ductile iron (GGG40)
Material seal	NBR
Connection	DIN flange
Gasket	NBR
Temperature range	0°C - 80°C
Pressure	16 bar
Capacity	65 m ³ /h
Size	DN65
Length	240 mm
DN	65
Flange	PN10/16
Outer ø	185 mm
PCD	145 mm

Holes

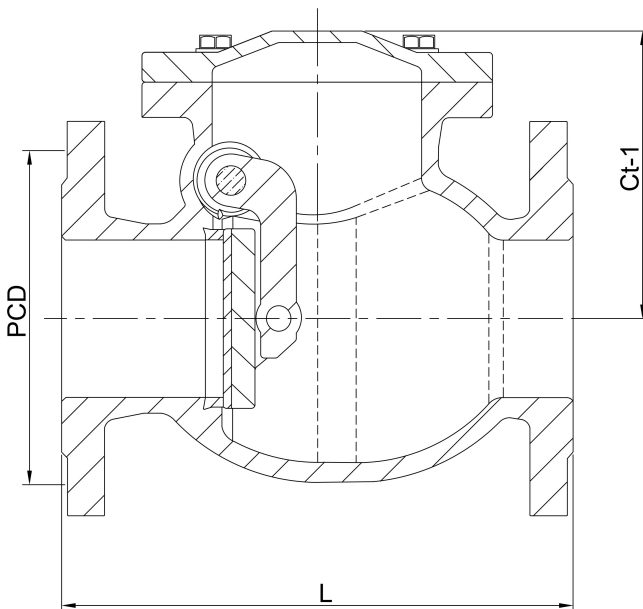
4

DIMENSIONS

Ct-1 92.5 mm

L 240 mm

PCD 145 mm



Last modified date: 21/02/2026

Bosta UK Ltd.
Reflection House
Olding Road
Bury St. Edmunds
Suffolk
IP33 3TA
T +44 (0) 1284 716580
E enquiries@bosta.co.uk

<http://www.bosta.com>