

**Profec Flange threaded steel  
zinc plated DN150 x 6" DIN  
flange x female thread DN150  
PN10/16 (1080220)**



# TECHNICAL SPECIFICATIONS

Material	steel
Surface treatment	zinc plated
Connection	DIN flange x female thread
DIN Standard	DIN 2566
Flange	PN10/16
Size	DN150 x 6"
Bolt	M20
DN	150
Diameter	168,3 mm
Outer ø	285 mm
Weight	7.92 kg
Thickness	22 mm
Bolt hole	22 mm
Holes	8

## DIMENSIONS

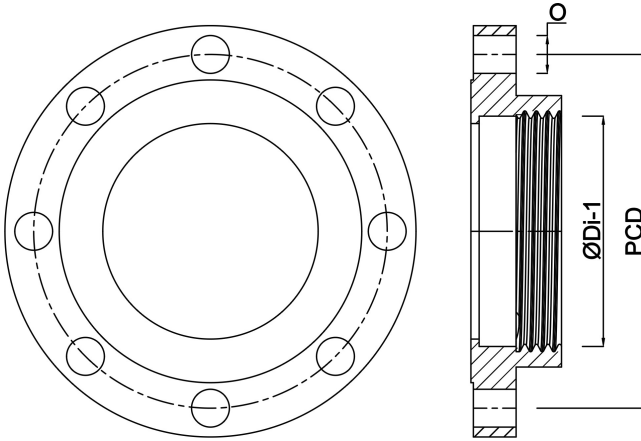
O	22 mm
---	-------

PCD

240 mm

ØDi-1

6 "



**Last modified date: 22/02/2026**

Bosta UK Ltd.  
Reflection House  
Olding Road  
Bury St. Edmunds  
Suffolk  
IP33 3TA  
T +44 (0) 1284 716580  
E [enquiries@bosta.co.uk](mailto:enquiries@bosta.co.uk)  
<http://www.bosta.com>