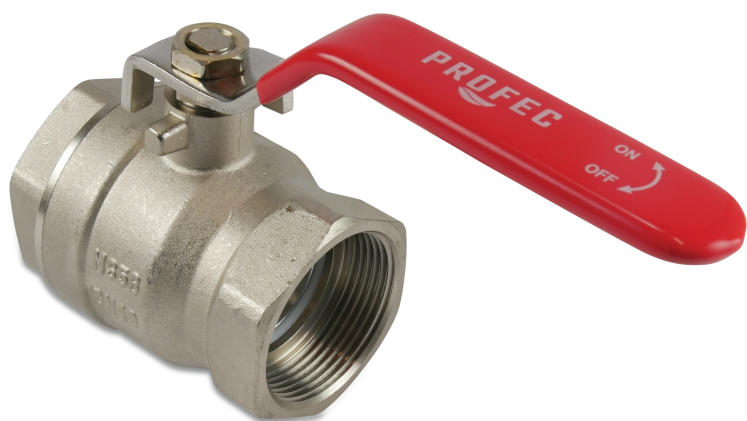


# Profec Ball valve brass nickel plated 1/4" female thread 25bar type 100 VA (0403030)



# TECHNICAL SPECIFICATIONS

Type Test Datasheet

Material aluminium

Surface treatment nickel plated

Operation lever

Colour lever red

Handle material stainless steel

Ball material hard chrome plated brass

Material housing brass

Material seal PTFE

Connection female thread

Temperature range 0°C - 100°C

Pressure 25 bar

Size 1/4"

## DIMENSIONS

Lb 41.5 mm

ØDi-1 1/4 "

ØDi-2 1/4 "

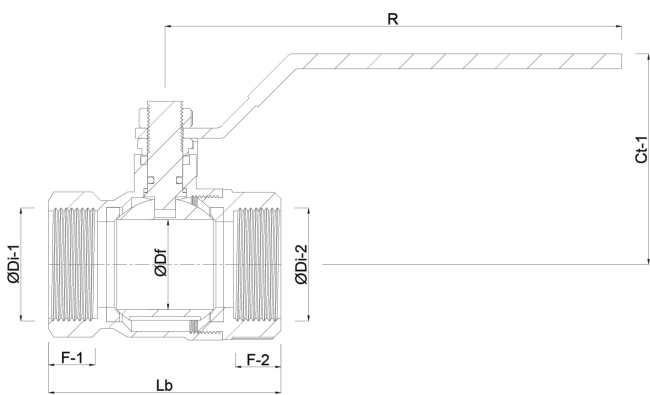
F-1 9.5 mm

F-2 9.5 mm

Ct-1 42 mm

R 89 mm

ØDf 10 mm



**Last modified date: 09/10/2025**

Bosta UK Ltd.  
Reflection House  
Olding Road  
Bury St. Edmunds  
Suffolk  
IP33 3TA  
T +44 (0) 1284 716580  
E [enquiries@bosta.co.uk](mailto:enquiries@bosta.co.uk)  
<http://www.bosta.com>