

**Profec Blind flange PVC-U  
DN150 x 160 mm DIN flange  
10bar DN150 grey PN10  
(0111030)**



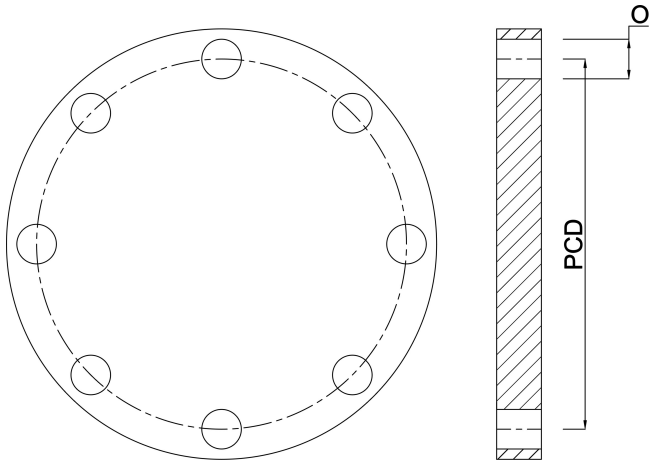
# TECHNICAL SPECIFICATIONS

Colour	grey
Material	PVC-U
Connection	DIN flange
Size	DN150 x 160 mm
Bolt	M16
Packaging	5 pcs
DN	150
Flange	PN10
Outer ø	285 mm
Weight	1.353 kg
Length bolt	90 mm
Thickness	28 mm
Pressure	10 bar
Bolt hole	22 mm
Holes	8

## DIMENSIONS

O 22 mm

PCD 240 mm



## PRODUCT INFORMATION

For PCD, bolt hole size and number see Technical specifications "How to identify a flange" at the back of the catalogue (PCD equals K)

**Last modified date: 20/02/2026**

Bosta UK Ltd.  
Reflection House  
Olding Road  
Bury St. Edmunds  
Suffolk  
IP33 3TA  
T +44 (0) 1284 716580  
E [enquiries@bosta.co.uk](mailto:enquiries@bosta.co.uk)  
<http://www.bosta.com>