

DAB Pressure set cast iron 1" female thread 8bar 6,2A 230VAC green/white type AquaJet 112M-G (7030926)



TECHNICAL SPECIFICATIONS

Colour green/white

Material cast iron

Pump body cast iron

Material impeller 1 technopolymer A

Tank 20ltr ltr

Connection female thread

Voltage 230VAC

Max. temperature 35 °C

Minimum medium temperature 0 °C
(continuous)

Impellers 1

Maximum ambient temperature 40 °C

Pressure 8 bar

Packaging dimensions L/W/H 566 x 360 x 554 mm

Type AquaJet 112M-G

Size 1"

Weight 19 kg

| | |
|-------|------|
| Power | 1 kW |
|-------|------|

| | |
|-----|----|
| MWC | 61 |
|-----|----|

| | |
|--------|--------|
| Height | 500 mm |
|--------|--------|

| | |
|--------|-------|
| Ampere | 6,2 A |
|--------|-------|

| | |
|---------------|-----------------------|
| Max flow rate | 3.6 m ³ /h |
|---------------|-----------------------|

| | |
|--------------|------|
| BEP Capacity | 35.7 |
|--------------|------|

| | |
|----------|------|
| BEP Head | 2.56 |
|----------|------|

| | |
|-------|------|
| PORlh | 47.8 |
|-------|------|

| | |
|-------|------|
| PORhh | 36.2 |
|-------|------|

| | |
|-------|-------|
| PORlq | 1.792 |
|-------|-------|

| | |
|-------|-------|
| PORhq | 3.072 |
|-------|-------|

DIMENSIONS

| | |
|-----|--------|
| H-1 | 204 mm |
|-----|--------|

| | |
|-----|--------|
| H-2 | 296 mm |
|-----|--------|

| | |
|---|--------|
| L | 492 mm |
|---|--------|

| | |
|----|--------|
| Lb | 413 mm |
|----|--------|

| | |
|--------|--------|
| Length | 492 mm |
|--------|--------|

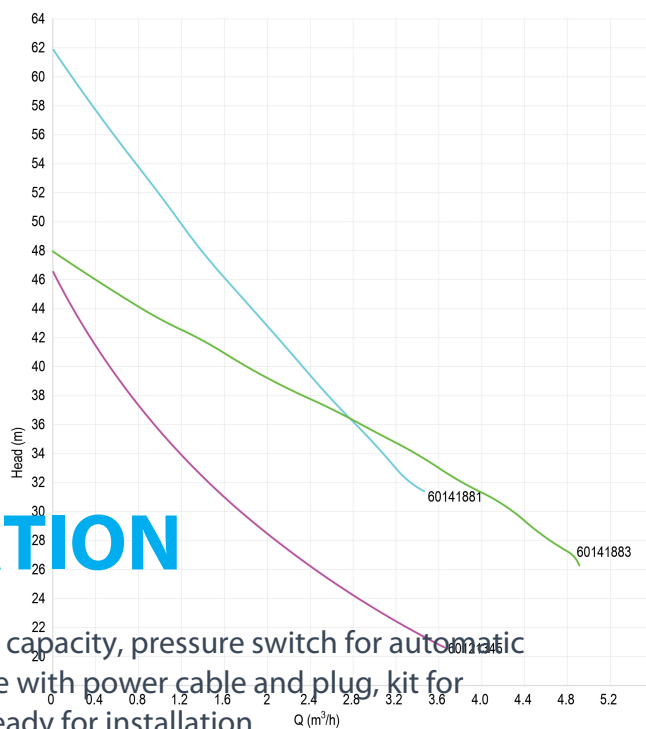
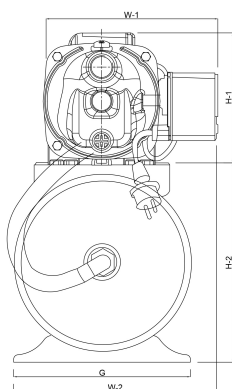
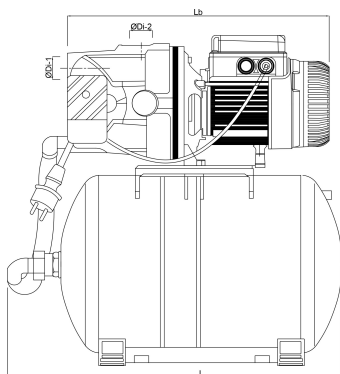
| | |
|-----|--------|
| W-1 | 256 mm |
|-----|--------|

W-2 301 mm

Width 301 mm

ØDi-1 1 "

ØDi-2 1 "



PRODUCT INFORMATION

The set is composed of a diaphragm tank with 20 litre capacity, pressure switch for automatic operation, pressure gauge, JET electropump complete with power cable and plug, kit for coupling the pump and the tank, all assembled and ready for installation. Comes assembled.

Last modified date: 24/02/2026

Bosta UK Ltd.
Reflection House
Olding Road
Bury St. Edmunds
Suffolk
IP33 3TA
T +44 (0) 1284 716580
E enquiries@bosta.co.uk

<http://www.bosta.com>