

# VIR Ball valve PP 2" female thread 16bar DN50 black type 220 (0401587)



# TECHNICAL SPECIFICATIONS

Colour	black
Type	220
Material	PP
Operation	lever
Colour lever	red
Handle material	fibreglass reinforced nylon
Housing construction	1-part
Ball material	hard chrome plated brass
Material housing	PP
Material seal	PTFE
Connection	female thread
Temperature range	0°C - 75°C
Pressure	16 bar
Size	2"
DN	50

## DIMENSIONS

Ct-1 103 mm

F-1 29 mm

F-2 29 mm

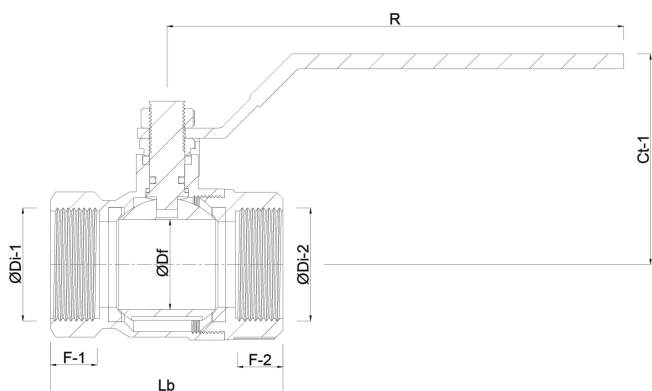
Lb 131 mm

R 146 mm

ØDf 50 mm

ØDi-1 2 "

ØDi-2 2 "



**Last modified date: 21/02/2026**

Bosta UK Ltd.  
Reflection House  
Olding Road  
Bury St. Edmunds  
Suffolk  
IP33 3TA  
T +44 (0) 1284 716580  
E [enquiries@bosta.co.uk](mailto:enquiries@bosta.co.uk)  
<http://www.bosta.com>