

**VIR Ball valve PP 3/4" female
thread 16bar DN20 black type
220 (0401583)**



TECHNICAL SPECIFICATIONS

Colour	black
Type	220
Material	PP
Operation	lever
Colour lever	red
Handle material	fibreglass reinforced nylon
Housing construction	1-part
Ball material	hard chrome plated brass
Material housing	PP
Material seal	PTFE
Connection	female thread
Min. temp.	0 °C
Temperature range	0°C - 75°C
Pressure	16 bar
Max. temp.	75 °C
Size	3/4"
DN	20

DIMENSIONS

Lb 72 mm

ØDi-1 3/4 "

ØDi-2 3/4 "

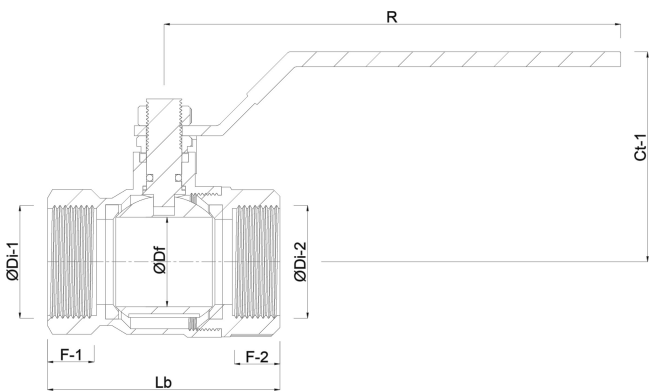
F-1 17.5 mm

F-2 17.5 mm

Ct-1 59 mm

R 102 mm

ØDf 20 mm



Last modified date: 10/10/2025

Bosta UK Ltd.
Reflection House
Olding Road
Bury St. Edmunds

Suffolk
IP33 3TA
T +44 (0) 1284 716580
E enquiries@bosta.co.uk
<http://www.bosta.com>