

**Drainage reducer bush rubber  
reinforced with nylon 50 mm x  
40 mm spigot x ring seal black  
(0350397)**



# TECHNICAL SPECIFICATIONS

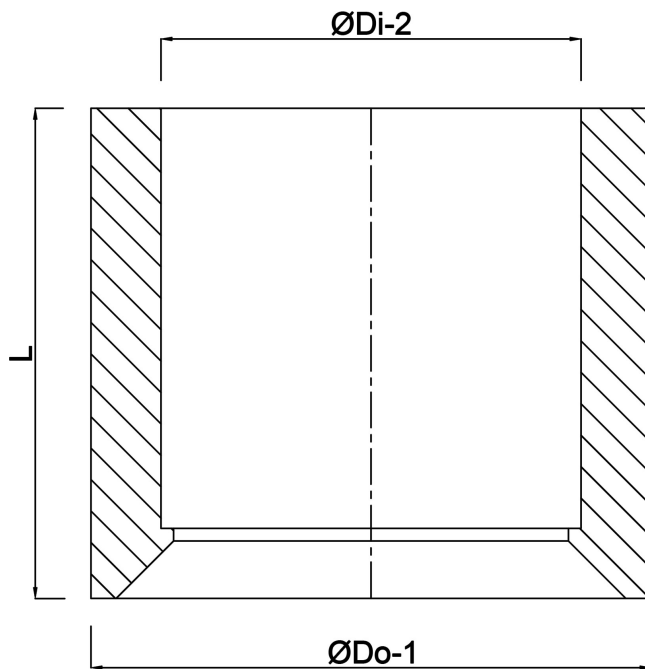
Colour	black
Material	rubber reinforced with nylon
Connection	spigot x ring seal
Size	50 mm x 40 mm

## DIMENSIONS

L 24 mm

$\text{ØDi-2}$  40 mm

$\text{ØDo-1}$  50 mm



**Last modified date: 21/02/2026**

Bosta UK Ltd.  
Reflection House  
Olding Road  
Bury St. Edmunds  
Suffolk  
IP33 3TA  
T +44 (0) 1284 716580  
E [enquiries@bosta.co.uk](mailto:enquiries@bosta.co.uk)  
<http://www.bosta.com>