

Flotide Sandfiter polyester gelcoated 50 mm / 1 1/2" metric/imperial glue socket 2,5bar grey type TMG650 (7021215)



FLOTIDE

TECHNICAL SPECIFICATIONS

Colour	grey
Material	polyester gelcoated
Connection	metric/imperial glue socket
Pressure	2,5 bar
Max. temp.	43 °C
Type	TMG650
Size	50 mm / 1 1/2"
Diameter	666 mm
Weight	24.5 kg
Sand	158 kg
Filter area	0.33 m ²
Max flow rate	16.5 m ³ /h
Max. pool vol.	82.5 m ³

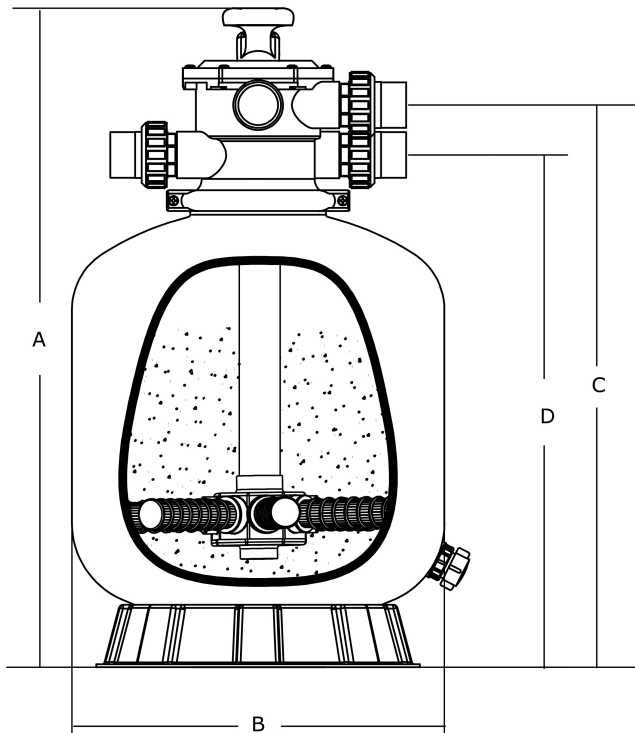
DIMENSIONS

A	998 mm
B	25 " inch

B 666 mm

C 862 mm

D 805 mm



PRODUCT INFORMATION

This Gelcoat filter tank has been well-received by the industry due to the durable, trustworthy performance and smooth gelcoat fibreglass finish. With UV-resistant material used, it is able to operate under prolonged sunlight for years of reliability. "TMG" Series top mount filters are equipped with a six-position, top mount multiport valve and ABS laterals. Switch off the pump before each lever action.

- Non corrosive gel coat fibreglass tank
- Smooth finish
- ABS internal pipe work construction
- 6-way multiport topmount valve

- Warranty period: 2 years

Last modified date: 23/02/2026

Bosta UK Ltd.
Reflection House
Olding Road
Bury St. Edmunds
Suffolk
IP33 3TA
T +44 (0) 1284 716580
E enquiries@bosta.co.uk
<http://www.bosta.com>