

# Rovatti Multi-stage centrifugal pump cast iron DN65 x DN50 DIN flange 400VAC green type ME 10KV65-32/2 (7024349)



**rovatti pompe**

# TECHNICAL SPECIFICATIONS

Colour green

Material cast iron

Shaft steel

Connection DIN flange

Voltage 400VAC

Press 50

Suction 65

Type ME 10KV65-32/2

Output Power 10 HP

Material impeller 1 cast iron

Size DN65 x DN50

Power 7.5 kW

Impellers 2

MWC 71

Max flow rate 45 m<sup>3</sup>/h

Efficiency 72,3 %

# DIMENSIONS

G-2 225 mm

L 908 mm

Lb 535 mm

ØDi-1 65 mm

ØDi-2 50 mm

O 18 mm

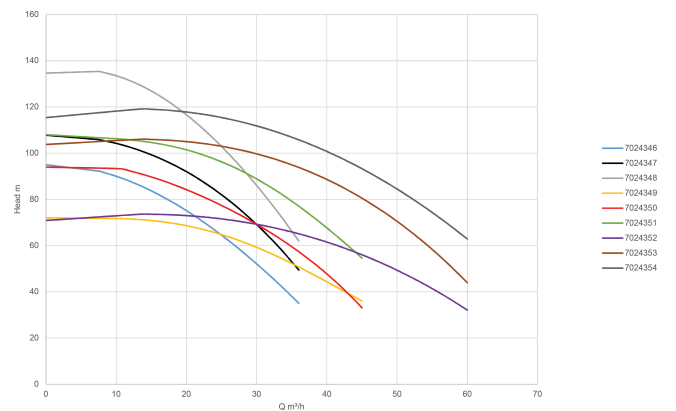
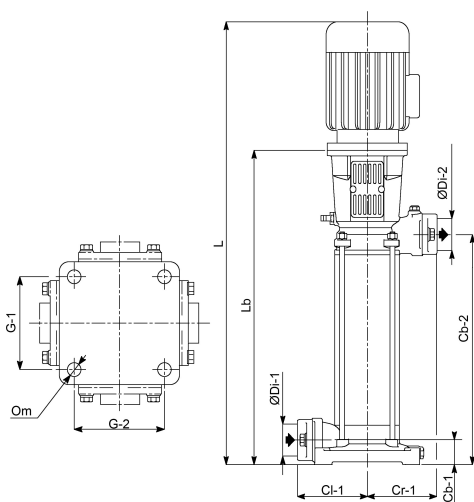
Cb-1 100 mm

Cb-2 220 mm

Cr-1 190 mm

G-1 225 mm

Cl-1 190 mm



# PRODUCT INFORMATION

The ME (Europa) Vertical type is a highly efficiency pump.

The inlet is not at the same level as the outlet thanks to the single wall within the body of the pump which makes this pump more competitively priced. This type can not be delivered with an inline inlet and outlet, for more information please refer to the Europa horizontal types with identical capacity.

The lattyflon stuffing-box packing is ideal for dirty water installations because opposite to the mechanical seal, where sand can damage the seal, with the stuffing-box packing there will be no issues. The stuffing-box packing needs to be adjusted accordingly with the Twinner System (2 parts) so it is always leaking in order to keep it lubricated and cool.

The ME (Europa) Vertical pumps can also be delivered with an optional mechanical seal for clean water, please consult with us for more information.

No counter flanges are delivered with these types, for the counter flange kits please consult with us.

The ME (Europa) Vertical pumps are able to supply a wide range of pressures which allows it to be used for diverse installations of medium and high pressure in irrigation with higher capacities than the Compact ME types.

**Last modified date: 08/11/2025**

Bosta UK Ltd.  
Reflection House  
Olding Road  
Bury St. Edmunds  
Suffolk  
IP33 3TA  
T +44 (0) 1284 716580  
E [enquiries@bosta.co.uk](mailto:enquiries@bosta.co.uk)  
<http://www.bosta.com>