

**VIR Ball valve PP 1 1/4" female
thread 16bar DN32 black type
220 (0401585)**



TECHNICAL SPECIFICATIONS

Colour	black
Type	220
Material	PP
Operation	lever
Colour lever	red
Handle material	fibreglass reinforced nylon
Housing construction	1-part
Ball material	hard chrome plated brass
Material housing	PP
Material seal	PTFE
Connection	female thread
Temperature range	0°C - 75°C
Pressure	16 bar
Size	1 1/4"
DN	32

DIMENSIONS

Ct-1 78 mm

F-1 23 mm

F-2 23 mm

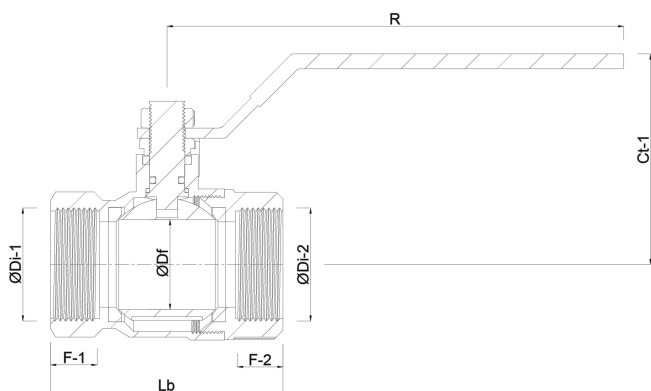
Lb 98 mm

R 120 mm

ØDf 32 mm

ØDi-1 1 1/4 "

ØDi-2 1 1/4 "



Last modified date: 21/02/2026

Bosta UK Ltd.
Reflection House
Olding Road
Bury St. Edmunds
Suffolk
IP33 3TA
T +44 (0) 1284 716580
E enquiries@bosta.co.uk
<http://www.bosta.com>