

**DAB Submersible pump
stainless steel 304 1 1/4"
female thread 230VAC
stainless steel type Drenag 300
MA with float switch (7038199)**



TECHNICAL SPECIFICATIONS

Colour stainless steel

Material stainless steel 304

Pump body stainless steel 304

Connection female thread

Voltage 230VAC

Max. temperature 35 °C

Minimum medium temperature 0 °C
(continuous)

Maximum ambient temperature 40 °C

Type Drenag 300 MA

Output Power 0,33 HP

Material impeller 1 reinforced plastic

MWC 7 m

Size 1 1/4"

Float included

Power 0.25 kW

Max flow rate 9 m³/h

DIMENSIONS

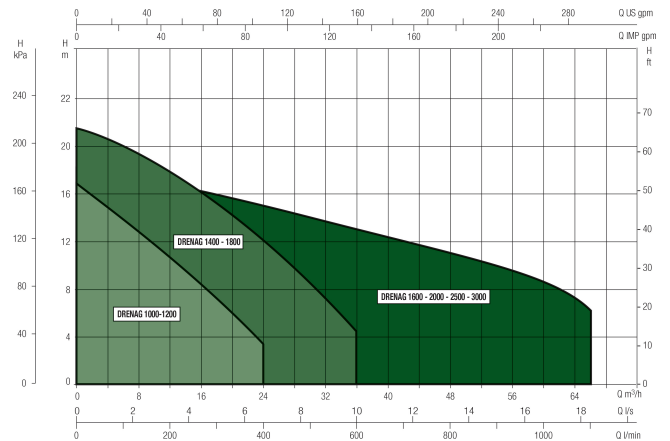
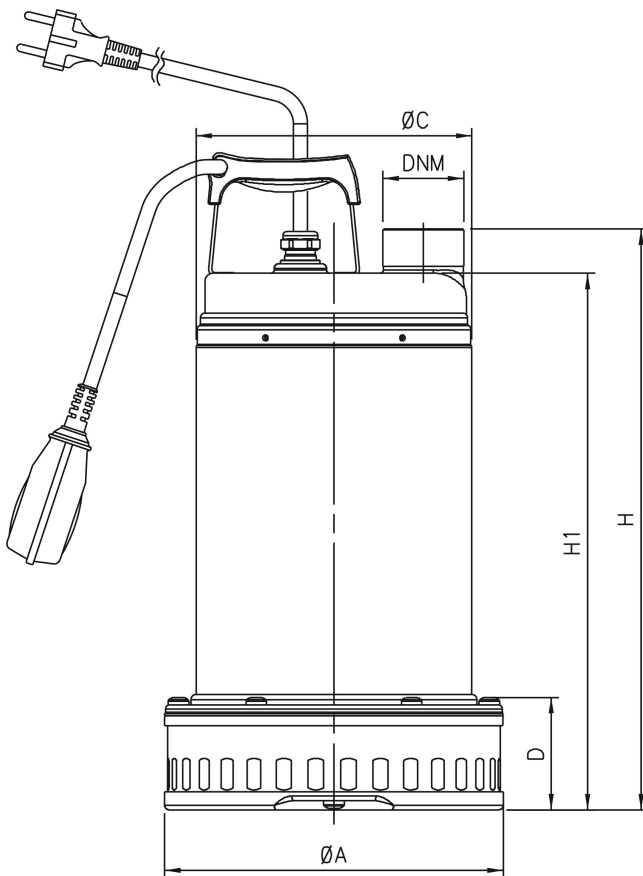
A 154 mm

C 132 mm

D 50 mm

H 249 mm

H-1 228 mm



Last modified date: 09/05/2026

Bosta UK Ltd.
Reflection House
Olding Road
Bury St. Edmunds
Suffolk
IP33 3TA
T +44 (0) 1284 716580
E enquiries@bosta.co.uk
<http://www.bosta.com>