

Profec Ball valve brass nickel plated 1" female thread 10bar DVGW type 107 (0401185)



TECHNICAL SPECIFICATIONS

Type	107
Material	brass
Surface treatment	nickel plated
Approval	DVGW
Operation	lever
Colour lever	yellow
Handle material	steel
Housing construction	2-part
Ball material	hard chrome plated brass
Material housing	brass
Material seal	PTFE
Connection	female thread
Flow	full
Temperature range	-20°C - 180°C
Pressure	10 bar
Size	1"

DIMENSIONS

Ct-1 60 mm

F-1 20 mm

F-2 22.5 mm

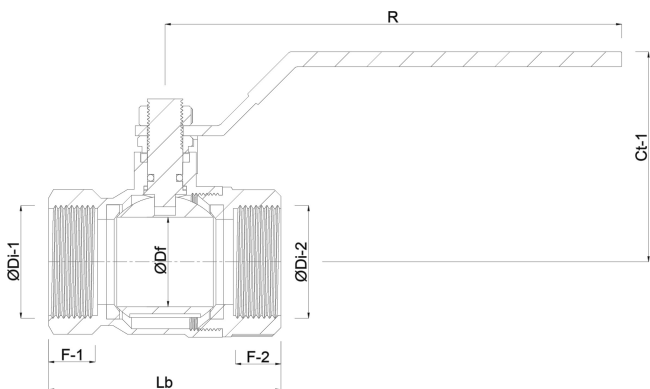
Lb 80,8 mm

R 112.2 mm

ØDf 25 mm

ØDi-1 1 "

ØDi-2 1 "



PRODUCT INFORMATION

High pressure full flow ball valve, long threaded. Stainless steel handles available.

Last modified date: 21/02/2026

Bosta UK Ltd.
Reflection House
Olding Road
Bury St. Edmunds
Suffolk
IP33 3TA
T +44 (0) 1284 716580
E enquiries@bosta.co.uk
<http://www.bosta.com>