

**Profec Flange adaptor PVC-U  
DN175 x 200 mm DIN flange x  
glue socket 10bar DN175 grey  
PN10 (0111053)**



# TECHNICAL SPECIFICATIONS

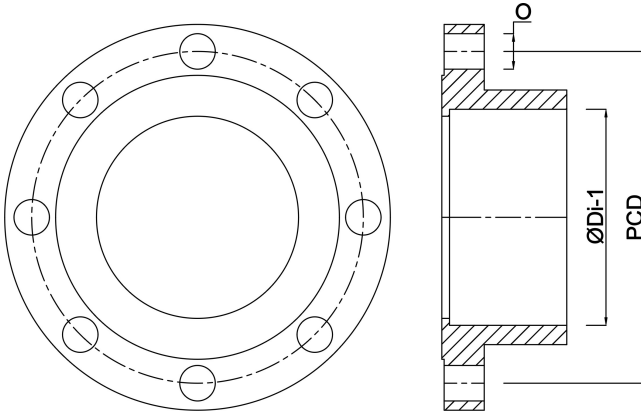
Colour	grey
Material	PVC-U
Connection	DIN flange x glue socket
Size	DN175 x 200 mm
Bolt	M20
DN	175
Flange	PN10
Outer ø	315 mm
Weight	2.345 kg
Length bolt	110 mm
Thickness	30 mm
Pressure	10 bar
Bolt hole	22 mm
Holes	8

## DIMENSIONS

O	22 mm
---	-------

PCD 270 mm

ØDi-1 200 mm



**Last modified date: 20/02/2026**

Bosta UK Ltd.  
Reflection House  
Olding Road  
Bury St. Edmunds  
Suffolk  
IP33 3TA  
T +44 (0) 1284 716580  
E [enquiries@bosta.co.uk](mailto:enquiries@bosta.co.uk)  
<http://www.bosta.com>