

Rovatti Centrifugal pump cast iron DN80 x DN110 DIN flange green type T3-100A (7024360)



rovatti pompe

TECHNICAL SPECIFICATIONS

Colour green

Material cast iron

Shaft steel

Pump body cast iron

Material impeller 1 cast iron

Connection DIN flange

Max. temperature 60 °C

Impellers 1

Type T3-100A

Output Power 66 HP

MWC 78 m

Size DN80 x DN110

Max flow rate 180 m³/h

DIMENSIONS

Cb-1 254 mm

Cr-1 110 mm

G-1 240 mm

H 484 mm

H-1 484 mm

L 515 mm

Mc 130 mm

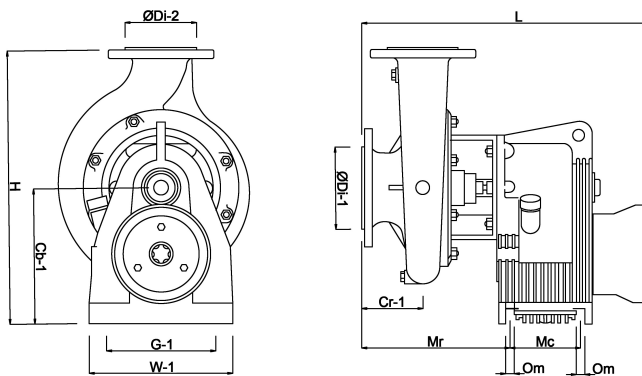
Mr 274 mm

O 15 mm

W-1 270 mm

ØDi-1 100 mm

ØDi-2 80 mm



PRODUCT INFORMATION

The tractor driven pumps type T come installed with the "E" impeller which provides the highest pressure. For different impeller types please consult with us.

For the T types, the Standard Gear Ratio (PTO) has been selected. For other Gear Ratios please

consult with us. In order to choose the correct Gear Ratio with the highest efficiency we recommend to have the tractor and torque information upfront.

All the T pumps come with a lattyflon stuffing-box packing which is ideal for dirty water installation. The stuffing-box packing needs to be adjusted accordingly with the Twinner System (2 parts) so it is always leaking in order to keep it lubricated and cool.

No counter flanges are delivered with the T types, for the counter flange kits please consult with us.

The T pumps can also be delivered fully assembled: frame (available in 2 sizes), suction pipe, pressure pipe, manometer, steel valve and hand pump. Please consult with us for more information.

Applications

Medium Pressure Sprinkler Systems: types T1-65A and T2-80.

Medium Pressure Frost Protection: types T3-100A and T4-125 (max 6 and 8 ha. respectively).

High Pressure Hose Rail Machines: types T2-50, T265, T3-80A, T3K80/2 and T4-110.

Last modified date: 08/05/2026

Bosta UK Ltd.

Reflection House

Olding Road

Bury St. Edmunds

Suffolk

IP33 3TA

T +44 (0) 1284 716580

E enquiries@bosta.co.uk

<http://www.bosta.com>