

Pentair Sand filter fibreglass reinforced polyester 1 1/2" female thread 2,5bar blue type Triton® F-24S8-NEO-CP (7021211)



TECHNICAL SPECIFICATIONS

Colour	blue
Material	fibreglass reinforced polyester
Connection	female thread
Pressure	2,5 bar
Max. temp.	50 °C
Type	Triton® F-24S8-NEO-CP
Capacity	14 m ³ /h
Gravel	50 kg
Size	1 1/2"
Diameter	610 mm
Weight	18.4 kg
Sand	100 kg
Filter area	0.29 m ²
Max flow rate	14 m ³ /h
Max. pool vol.	70 m ³

DIMENSIONS

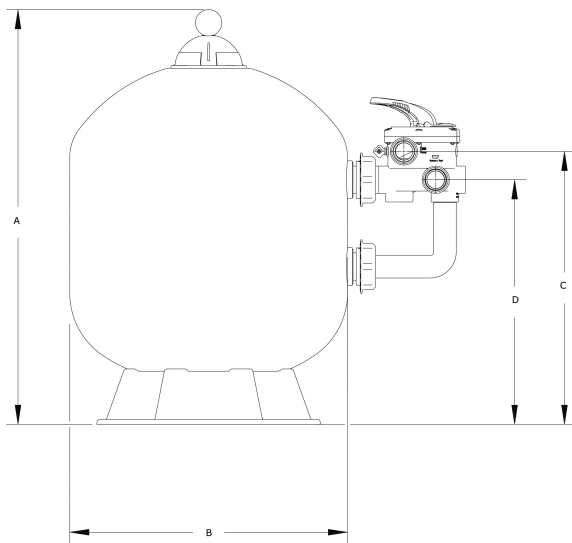
A 915 mm

B 24 " inch

B 610 mm

C 592 mm

D 530 mm



PRODUCT INFORMATION

One-piece, fibreglass-reinforced tank with UV-resistant coating.

With side-mount 6-way valve.

Switch off the pump before each lever action.

Warranty period: Tank 10 years

Last modified date: 23/02/2026

Bosta UK Ltd.
Reflection House
Olding Road
Bury St. Edmunds
Suffolk
IP33 3TA
T +44 (0) 1284 716580
E enquiries@bosta.co.uk
<http://www.bosta.com>