

Ball valve PVC-U 40 mm glue socket 10bar DN32 grey type 2000 Teflon (0111909)



TECHNICAL SPECIFICATIONS

Colour	grey
Type	2000 Teflon
Material	PVC-U
Operation	lever
Colour lever	red
Handle material	PVC-U
Housing construction	3-part
Material housing	PVC-U
Material seal	PTFE/EPDM
Connection	glue socket
Temperature range	0°C - 60°C
Pressure	10 bar
Size	40 mm
Length	142 mm
DN	32

DIMENSIONS

Ct-1 84.5 mm

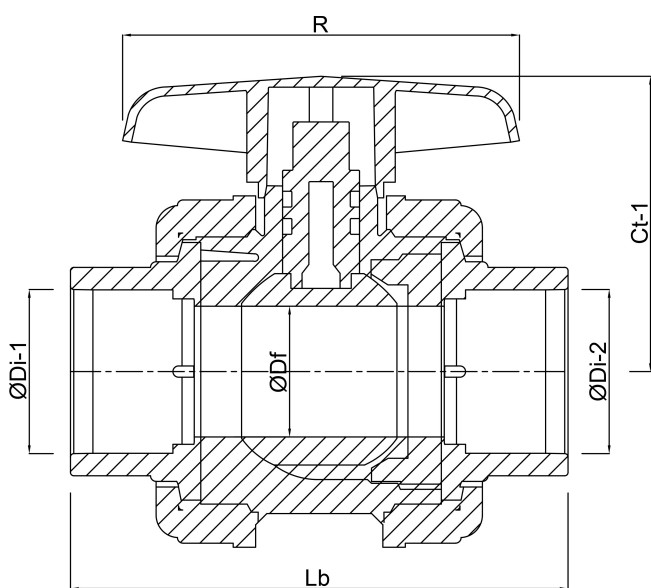
Lb 142 mm

R 110.5 mm

$\varnothing D_f$ 32 mm

$\varnothing D_{i-1}$ 40 mm

$\varnothing D_{i-2}$ 40 mm



Last modified date: 20/02/2026

Bosta UK Ltd.
Reflection House
Olding Road
Bury St. Edmunds
Suffolk
IP33 3TA
T +44 (0) 1284 716580
E enquiries@bosta.co.uk
<http://www.bosta.com>