

Itap Ball valve brass nickel plated 1 1/2" female thread 30bar type K80 (0401240)



TECHNICAL SPECIFICATIONS

Type K80

Material brass

Surface treatment nickel plated

Operation lever

Colour lever red

Handle material steel

Housing construction 2-part

Ball material hard chrome plated brass

Material housing brass

Material seal PTFE

Connection female thread

Max. temperature 150 °C

Minimum medium temperature -20 °C
(continuous)

Flow full

Size 1 1/2"

Pressure 30 bar

DIMENSIONS

Ct-1 91 mm

F-1 21.4 mm

F-2 21.4 mm

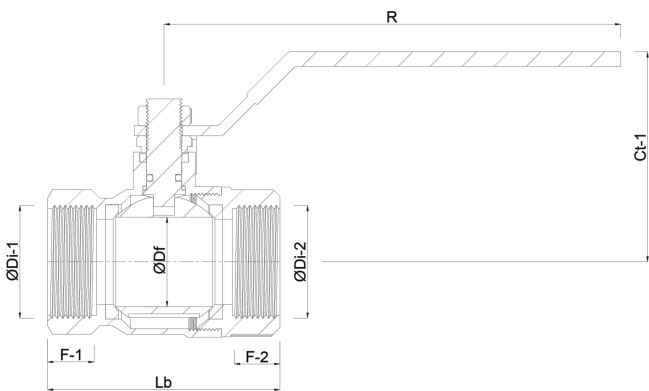
Lb 120 mm

R 157.8 mm

ØDf 40 mm

ØDi-1 1 1/2 "

ØDi-2 1 1/2 "



Last modified date: 21/02/2026

Bosta UK Ltd.
Reflection House
Olding Road
Bury St. Edmunds

Suffolk
IP33 3TA
T +44 (0) 1284 716580
E enquiries@bosta.co.uk
<http://www.bosta.com>