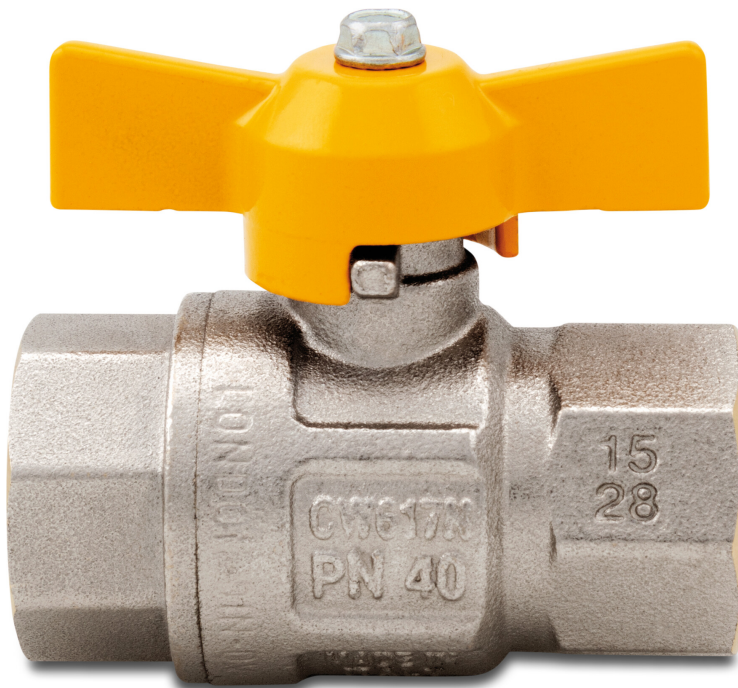


**Itap Ball valve brass nickel  
plated 3/8" female thread 5bar  
DN10 DVGW type 068  
(0401151)**



# TECHNICAL SPECIFICATIONS

Type	068
Material	brass
Surface treatment	nickel plated
Approval	DVGW
Operation	butterfly handle
Colour lever	yellow
Handle material	aluminium
Housing construction	2-part
Ball material	hard chrome plated brass
Material housing	brass
Material seal	PTFE
Connection	female thread
Max. temperature	60 °C
Minimum medium temperature -10 °C (continuous)	
Flow	full
Pressure	5 bar

Size 3/8"

DN 10

## DIMENSIONS

Ct-1 37.3 mm

F-1 11.4 mm

F-2 11.4 mm

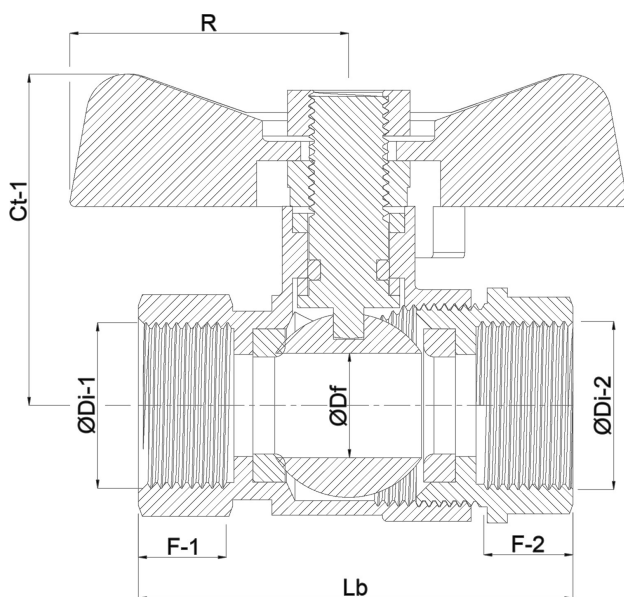
Lb 52,4 mm

R 23.5 mm

ØDf 10 mm

ØDi-1 3/8 "

ØDi-2 3/8 "



**Last modified date: 21/02/2026**

Bosta UK Ltd.  
Reflection House  
Olding Road  
Bury St. Edmunds  
Suffolk  
IP33 3TA  
T +44 (0) 1284 716580  
E [enquiries@bosta.co.uk](mailto:enquiries@bosta.co.uk)  
<http://www.bosta.com>