

**Profec Swing check valve with
lifting device ductile iron
(GGG40) epoxy coating DN125
DIN flange 16bar DN125 blue
PN10/16 (0402638)**



TECHNICAL SPECIFICATIONS

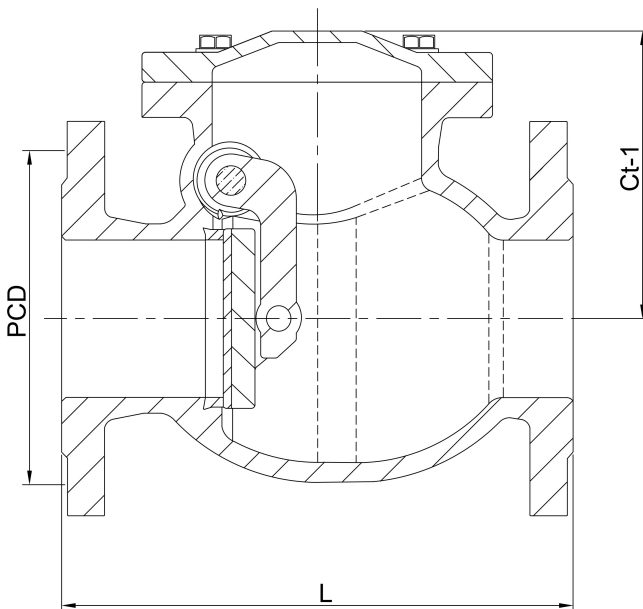
Colour	blue
Material	ductile iron (GGG40)
Surface treatment	epoxy coating
Material cover	ductile iron
Material housing	ductile iron (GGG40)
Material seal	NBR
Connection	DIN flange
Gasket	NBR
Temperature range	0°C - 80°C
Pressure	16 bar
Capacity	265 m ³ /h
Size	DN125
Length	350 mm
DN	125
Flange	PN10/16
Outer ø	250 mm
PCD	210 mm

DIMENSIONS

Ct-1 125 mm

L 350 mm

PCD 210 mm



Last modified date: 21/02/2026

Bosta UK Ltd.
Reflection House
Olding Road
Bury St. Edmunds
Suffolk
IP33 3TA
T +44 (0) 1284 716580
E enquiries@bosta.co.uk

<http://www.bosta.com>