

**Profec Swing check valve with
lifting device ductile iron
(GGG40) epoxy coating DN300
DIN flange 16bar DN300 blue
PN10 (0402642)**



TECHNICAL SPECIFICATIONS

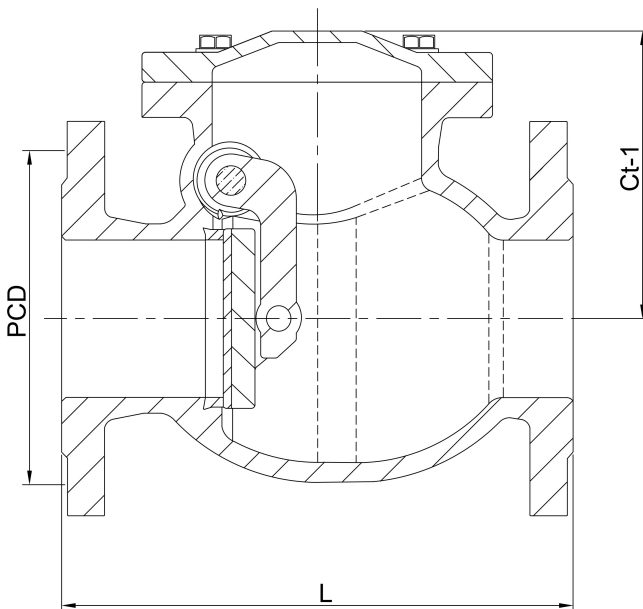
Colour	blue
Material	ductile iron (GGG40)
Surface treatment	epoxy coating
Material cover	ductile iron
Material housing	ductile iron (GGG40)
Material seal	NBR
Connection	DIN flange
Gasket	NBR
Temperature range	0°C - 80°C
Pressure	16 bar
Capacity	1557 m ³ /h
Size	DN300
Length	700 mm
DN	300
Flange	PN10
Outer ø	460 mm
PCD	400 mm

DIMENSIONS

Ct-1 330 mm

L 700 mm

PCD 400 mm



Last modified date: 21/02/2026

Bosta UK Ltd.
Reflection House
Olding Road
Bury St. Edmunds
Suffolk
IP33 3TA
T +44 (0) 1284 716580
E enquiries@bosta.co.uk

<http://www.bosta.com>