

**3-way ball valve T-bore PVC-U
50 mm glue socket 10bar DN40
grey type T-bore side
connection (0111523)**



TECHNICAL SPECIFICATIONS

Colour grey

Type T-bore

Material PVC-U

Operation lever

Colour lever red

Handle material PVC-U

Material housing PVC-U

Material seal PTFE/EPDM

Ball bore T-bore

Connection type side connection

Connection glue socket

Temperature range 0°C - 60°C

Pressure 10 bar

Shaft PVC

Size 50 mm

DN 40

DIMENSIONS

Ct-1 94 mm

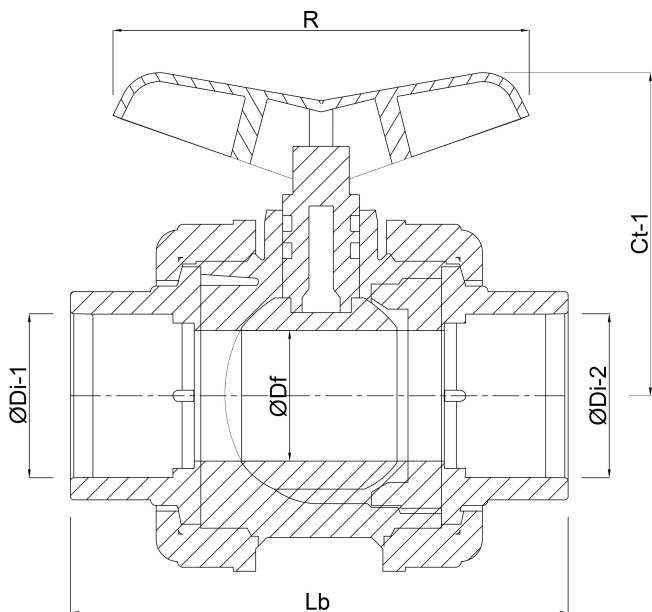
Lb 207 mm

R 128 mm

ØDf 40 mm

ØDi-1 50 mm

ØDi-2 50 mm



Last modified date: 20/02/2026

Bosta UK Ltd.
Reflection House
Olding Road

Bury St. Edmunds
Suffolk
IP33 3TA
T +44 (0) 1284 716580
E enquiries@bosta.co.uk
<http://www.bosta.com>