

**DAB Submersible pump  
stainless steel 304 1 1/4"  
female thread 230VAC  
stainless steel type Drenag 600  
MA with float switch (7038200)**



# TECHNICAL SPECIFICATIONS

Colour stainless steel

Material stainless steel 304

Pump body stainless steel 304

Connection female thread

Voltage 230VAC

Max. temperature 35 °C

Minimum medium temperature 0 °C  
(continuous)

Maximum ambient temperature 40 °C

Type Drenag 600 MA

Output Power 0,6 HP

Material impeller 1 reinforced plastic

MWC 10 m

Size 1 1/4"

Float included

Power 0.45 kW

Max flow rate 13.2 m<sup>3</sup>/h

# DIMENSIONS

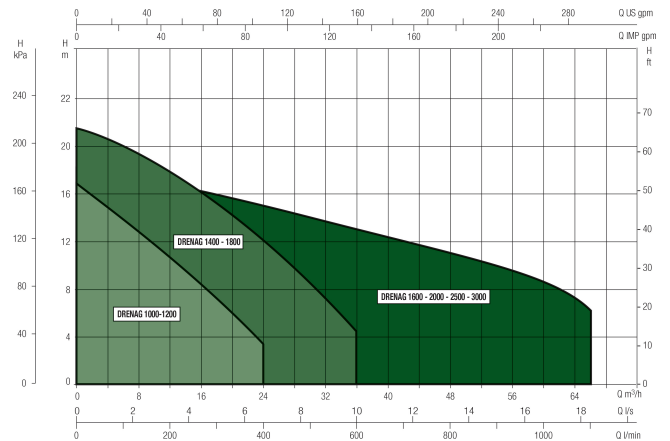
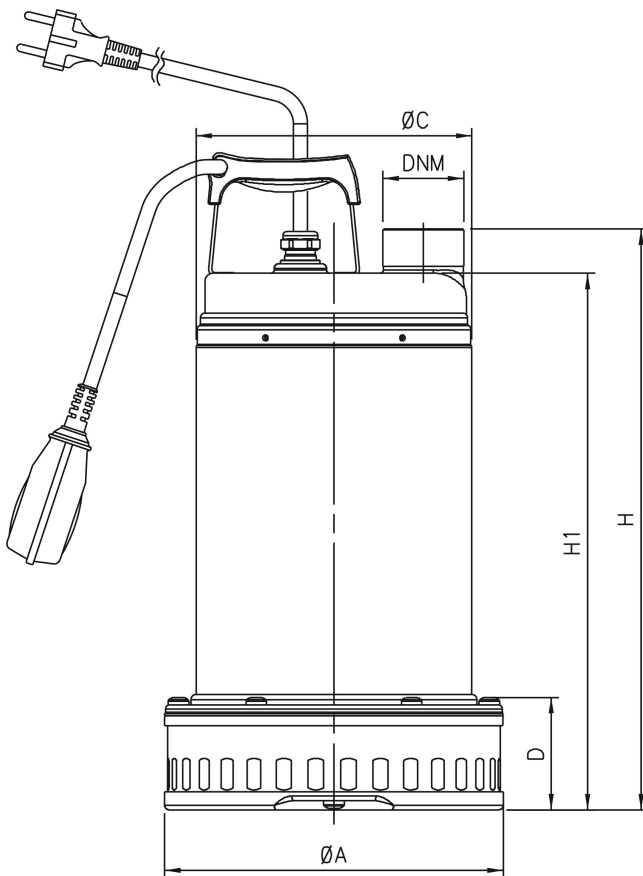
A 154 mm

C 132 mm

D 50 mm

H 249 mm

H-1 228 mm



Last modified date: 09/05/2026

Bosta UK Ltd.  
Reflection House  
Olding Road  
Bury St. Edmunds  
Suffolk  
IP33 3TA  
T +44 (0) 1284 716580  
E [enquiries@bosta.co.uk](mailto:enquiries@bosta.co.uk)  
<http://www.bosta.com>