

**VIR Ball valve brass chrome  
plated 1 1/2" female thread  
40bar WRAS/VA type 340R  
(0400956)**



# TECHNICAL SPECIFICATIONS

Type	340R
Material	brass
Surface treatment	chrome plated
Approval	WRAS/VA
Operation	lever
Colour lever	red
Handle material	dacromet steel
Housing construction	2-part
Ball material	hard chrome plated brass
Material housing	brass
Material seal	PTFE
Connection	female thread
Max. temperature	150 °C
Minimum medium temperature (continuous)	0 °C
Flow	full
Temperature range	0°C - 150°C

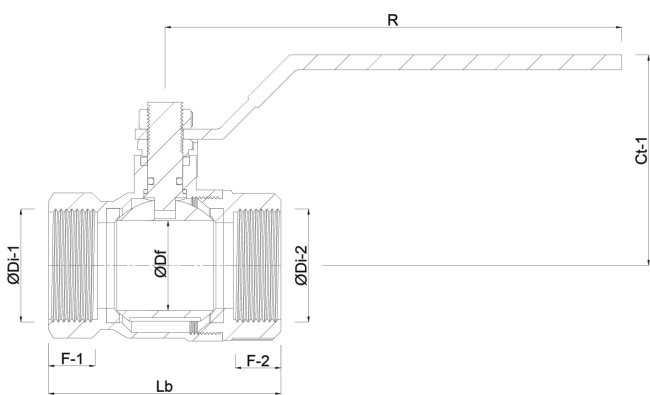
Size 1 1/2"

Pressure 40 bar

## DIMENSIONS

Handle height 79

ØDf 40 mm



**Last modified date: 10/10/2025**

Bosta UK Ltd.  
Reflection House  
Olding Road  
Bury St. Edmunds  
Suffolk  
IP33 3TA  
T +44 (0) 1284 716580  
E [enquiries@bosta.co.uk](mailto:enquiries@bosta.co.uk)  
<http://www.bosta.com>