

**Profec Nr. 40 Bend 45° cast iron  
galvanised 1 1/4" female  
thread x male thread 25bar  
DVGW (1004006)**

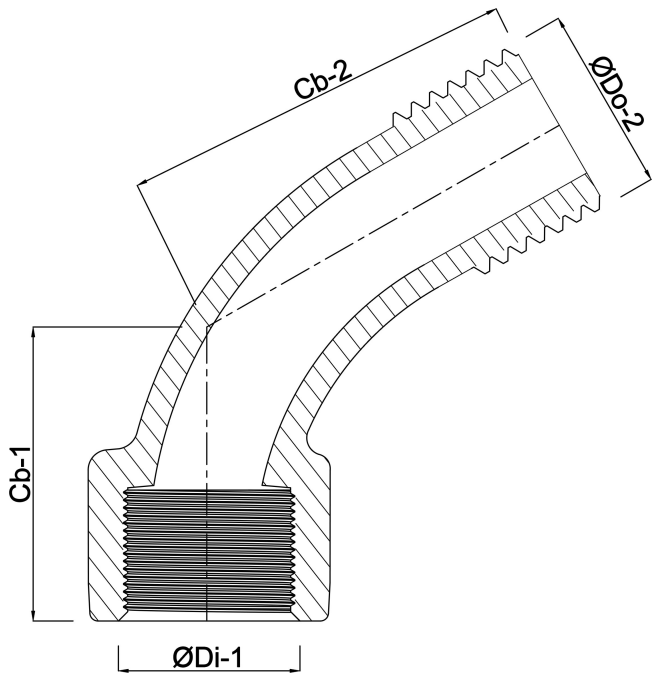


# TECHNICAL SPECIFICATIONS

Material	cast iron
Surface treatment	galvanised
Approval	DVGW
Connection	female thread x male thread
Fitting nr.	Nr. 40
Temperature range	-20°C - 120°C
Pressure	25 bar
Size	1 1/4"

## DIMENSIONS

Cb-1	64 mm
Cb-2	64 mm
F-1	20 mm
F-2	25 mm
ØDi-1	1 1/4 "
ØDo-2	1 1/4 "
β	45 °



**Last modified date: 22/02/2026**

Bosta UK Ltd.  
Reflection House  
Olding Road  
Bury St. Edmunds  
Suffolk  
IP33 3TA  
T +44 (0) 1284 716580  
E [enquiries@bosta.co.uk](mailto:enquiries@bosta.co.uk)  
<http://www.bosta.com>