

**Submersible pump 1" x 1 1/2" x
1" hose tail x male thread x
hose tail 2,5A 230VAC stainless
steel type IP 900 INOX
(7031125)**



TECHNICAL SPECIFICATIONS

Type	IP
Material impeller 1	noryl
Connection	hose tail x male thread x hose tail
Float	included
Voltage	230VAC
Max. temperature	35 °C
Maximum ambient temperature 40 °C	
Colour	stainless steel
Pump body	stainless steel 304
MWC	9 m
Size	1" x 1 1/2" x 1"
Type	900 INOX
Power	0.9 kW
Ampere	2,5 A
Max flow rate	14.1 m ³ /h
BEP Capacity	9.6
BEP Head	5.5

PORlh 7.3

PORhh 3.5

PORlq 6.72

PORhq 11.52

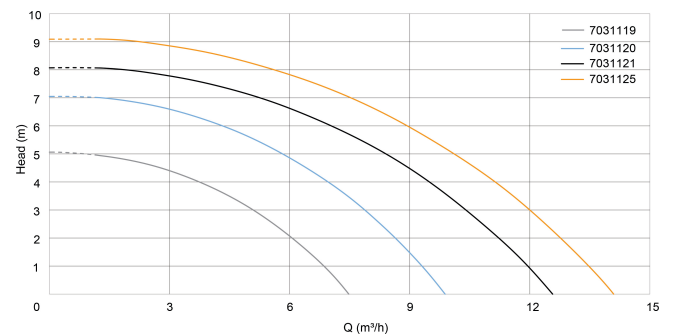
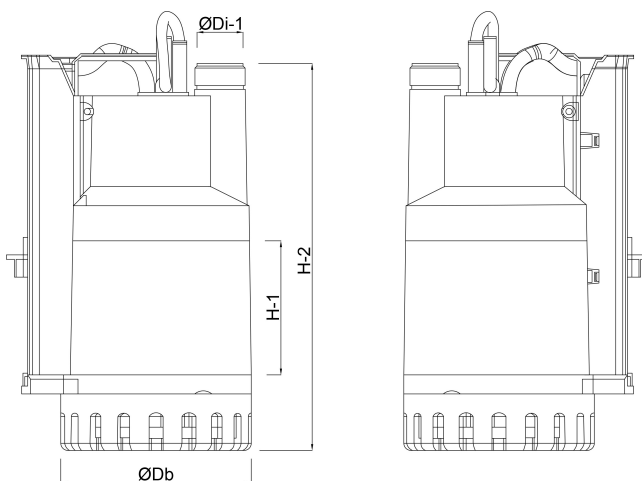
DIMENSIONS

Db 162 mm

H-1 70 mm

H-2 365 mm

ØDi-1 1 1/2 "



PRODUCT INFORMATION

For clean water only. Max. immersion depth: 5 metres. 8 mtr cable and DIN plug

Last modified date: 08/05/2026

Bosta UK Ltd.
Reflection House
Olding Road
Bury St. Edmunds
Suffolk
IP33 3TA
T +44 (0) 1284 716580
E enquiries@bosta.co.uk
<http://www.bosta.com>