

Itap Ball valve brass nickel plated 1/4" female thread 50bar type 092 (0402371)



TECHNICAL SPECIFICATIONS

Type	092
Material	brass
Surface treatment	nickel plated
Operation	butterfly handle
Colour lever	red
Handle material	aluminium
Housing construction	2-part
Ball material	hard chrome plated brass
Material housing	brass
Material seal	PTFE
Connection	female thread
Max. temperature	150 °C
Minimum medium temperature (continuous)	-20 °C
Flow	full
Size	1/4"
Pressure	50 bar

DIMENSIONS

Ct-1 37 mm

F-1 10 mm

F-2 10 mm

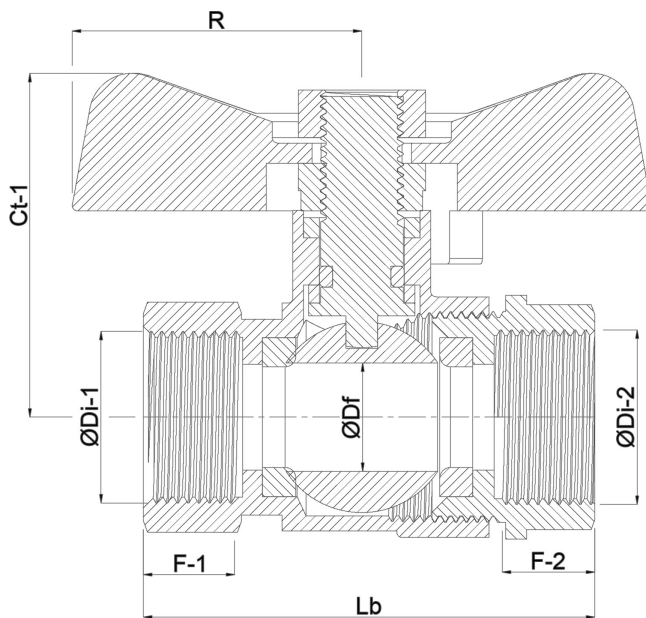
Lb 44,4 mm

R 23.5 mm

ØDf 10 mm

ØDi-1 1/4 "

ØDi-2 1/4 "



Last modified date: 21/02/2026

Bosta UK Ltd.
Reflection House
Olding Road
Bury St. Edmunds
Suffolk
IP33 3TA
T +44 (0) 1284 716580
E enquiries@bosta.co.uk
<http://www.bosta.com>